

**BOOSTER**



**CHEM**



**EXTRU**



**PURO**

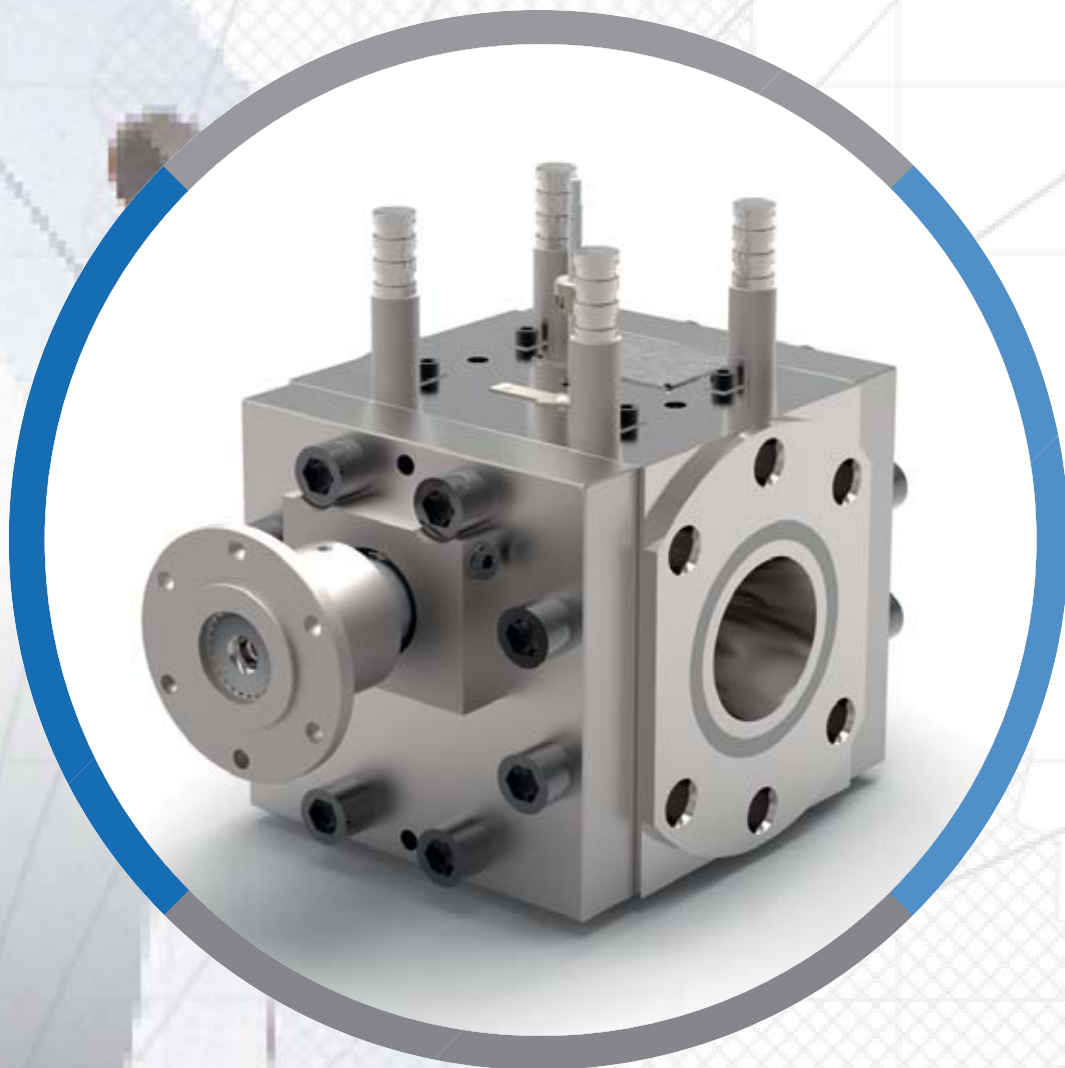


**POLY**



# EXTRU III

Extrusion gear pump

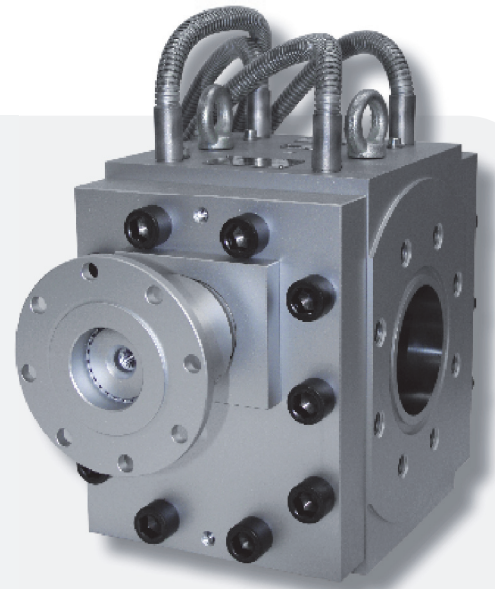


# EXTRU III

## Compact and compatible

EXTRU III pumps are of compact design and impress through their extraordinary compatibility. Their light construction and compact design allow simple installation, thus saving time and valuable floor space.

The EXTRU III can be operated with viscosities of up to 30.000 Pas., temperatures of 350°C, suction pressures of up to 120 bar and differential pressures of up to 250 bar.



The standard EXTRU III pump is delivered with aluminium-bronze Visco-seals. This dynamic shaft seal is designed especially for high viscosities and suction pressures and can be provided with cooling if required.

Because of the efficient build-up of pressure in comparison to extruders, the product can be conveyed in a very gentle manner with the WITTE EXTRU III gear pump, as comparatively little energy or heat is transferred to the polymer. They allow an extremely precise and almost pulsation-free conveyance of polymer, so that fluctuations in conveyance by the extruder will be compensated for. The friction bearings are provided with special lubrication pockets and channels to ensure long-term, reliable operation.

## Technical Features

<b>Housing:</b>	Heat resistant carbon steel optional: coating
<b>Cover:</b>	Carbon steel
<b>Gears:</b>	Nitrited tool steel, optional: coating, herringbone gearing
<b>Friction Bearings:</b>	Tool steel, optional: coating
<b>Shaft Seal:</b>	Viscoseal, Aluminium-Bronze, optional: cooling element
<b>Heating Systems:</b>	Electrically, by means of heating cartridges

## Application Examples

**Polymers:** PS, PET, PC, PA, PMMA, HDPE, LDPE, LLDPE, PP, Polysulfone, PEEK, etc.

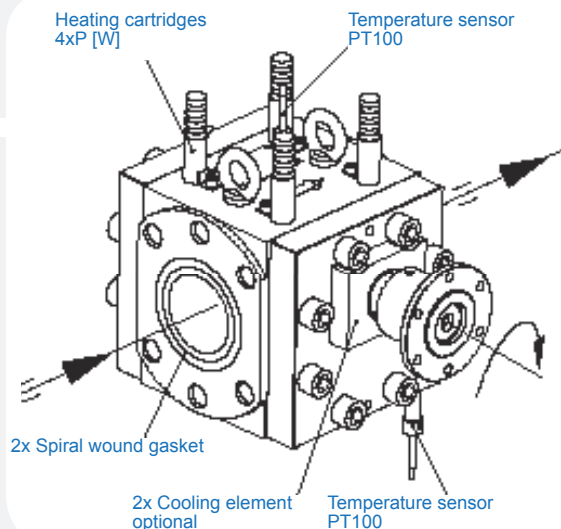
# Size / Capacity / Displacement Volume

## Pump Sizes

From 22/22 (4,7 cm<sup>3</sup>/rev) up to 180/180 (3.200 cm<sup>3</sup>/rev)

## Operating Parameters

<b>Viscosity:</b>	Up to 30.000 Pas
<b>Temperature:</b>	Up to 350 °C (662 °F)
<b>Suction Pressure:</b>	Up to max. 120 bar (1.740 psig)
<b>Differential Pressure:</b>	Up to max. 250 bar (3.626 psig)



The values listed are maximum values and must not coincide under certain circumstances.

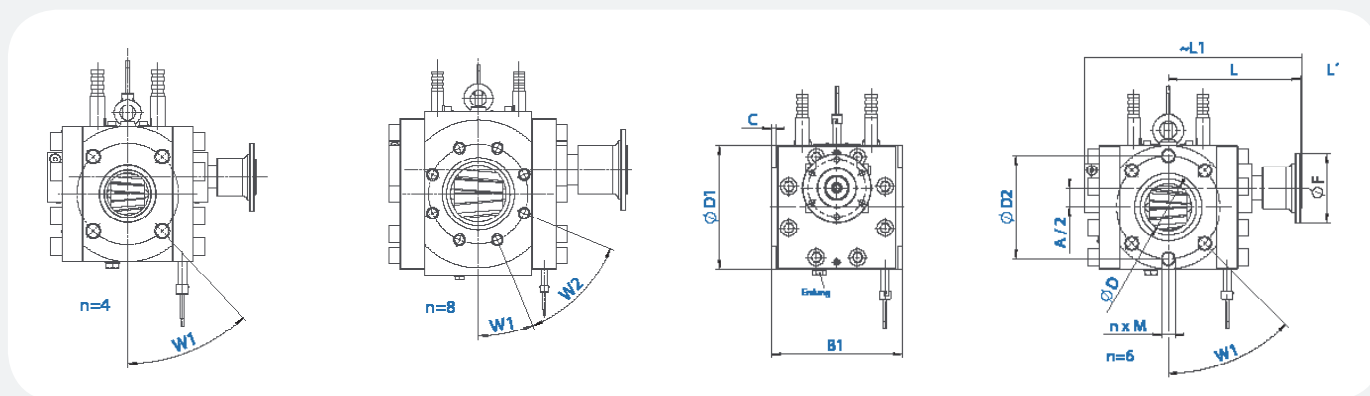
We will be pleased to offer you special materials and differing designs upon request.

## Technical Features

### Pump Sizes

Size (axial distance width)	Spec. displacement volume (cm <sup>3</sup> /rev)	Capacity (l/h)*
1 (22/22)	4,7	3-56
2 (28/28)	10,2	6-92
3 (36/36)	25,6	15-230
4 (45/45)	46,3	28-417
5 (56/56)	92,6	55-722

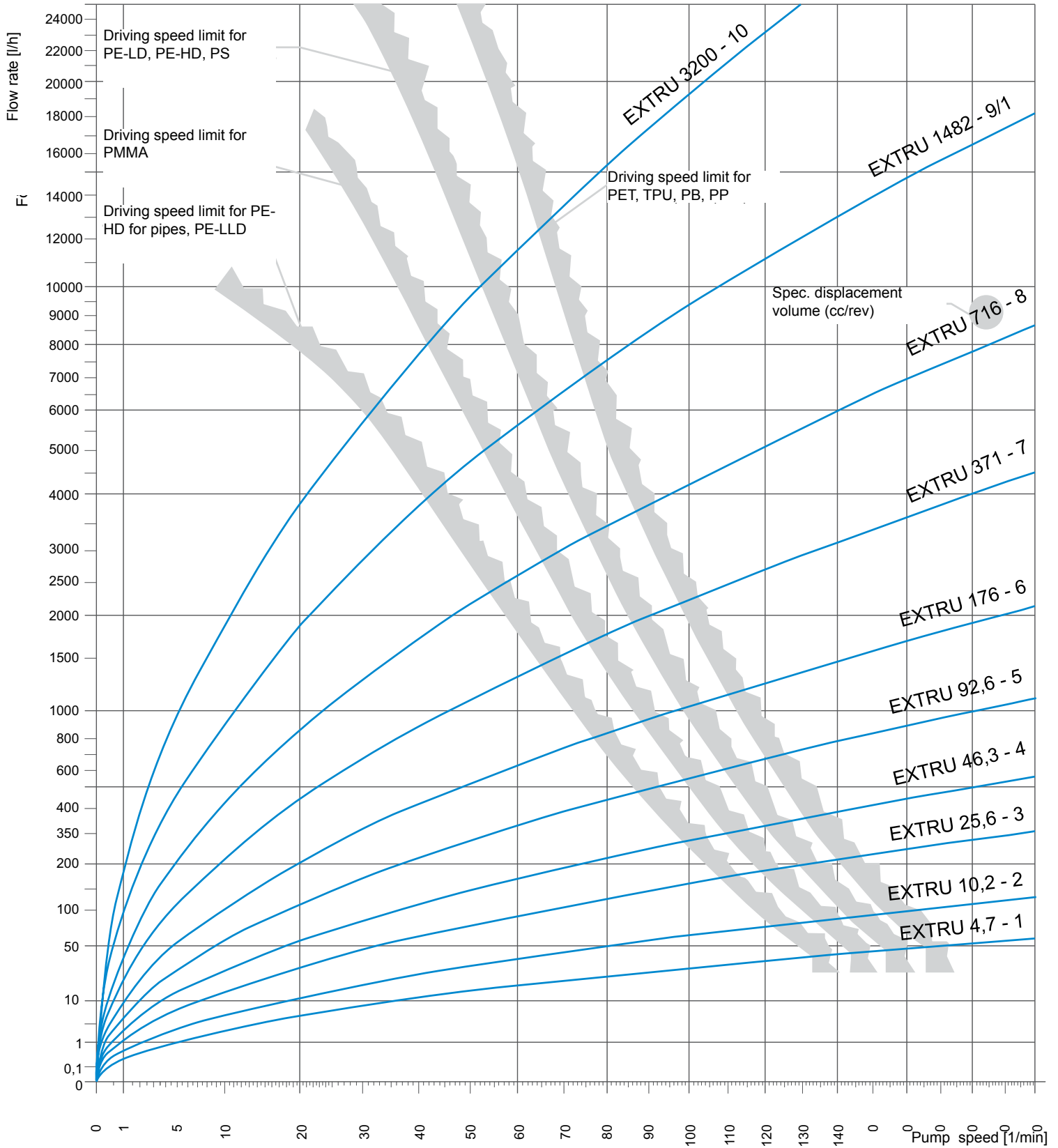
Size (axial distance width)	Spec. displacement volume (cm <sup>3</sup> /rev)	Capacity (l/h)*
6 (70/70)	176	105-1370
7 (90/90)	371	222-2890
8 (110/110)	716	430-4700
9 (140/140)	1.482	900-8850
10 (180/180)	3.200	1920-17000



### EXTRU-Dimensions

Type	A/B	A/2	B1	C	ØD	ØD1	ØD2	M	n	W1	W2	L	L1	ØF	Weight
EXTRU-III 4,7-1	22/22	11	90	3	28	84	64,6	M12	4	22°	--	80	131	58	5,2 [kg]
EXTRU-III 10,2-2	28/28	14	120	4	32	108	75	M10	6	40°	--	108	178	75	10 [kg]
EXTRU-III 25,6-3	36/36	18	136	4	42	136	95	M12	6	40°	--	126	210	90	17 [kg]
EXTRU-III 46,3-4	45/45	22,5	170	5	55	180	135	M20	4	43°	--	168,5	278	90	39 [kg]
EXTRU-III 92,6-5	56/56	28	190	6	68	180	150	M20	6	45°	--	192	315	100	49 [kg]
EXTRU-III 176-6	70/70	35	200	3,5	80	218	160	M20	6	60°	--	227	378	120	90 [kg]
EXTRU-III 371-7	90/90	45	230	3,5	104	275	185	M20	8	22,5°	45°	275	444	150	149 [kg]
EXTRU-III 716-8	110/110	55	310	5	125	300	215	M24	8	22,5°	45°	340	538	180	260 [kg]
EXTRU-III 1482-9/1	140/140	70	425	7,5	165	430	285	M30	8	22,5°	45°	415	670	250	615 [kg]
EXTRU-III 3200-10	180/180	90	500	7,5	220	530	350	M36	8	22,5°	45°	547	893	315	1170 [kg]

\* (Depending on the fluid characteristics and operating conditions)



WITTE PUMPS & TECHNOLOGY GmbH  
 Lise-Meitner-Allee 20  
 D-25436 Tornesch / Hamburg / Germany

T: +49 (0) 4120 70659-0  
 F: +49 (0) 4120 70659-49  
 info@witte-pumps.com  
 www.witte-pumps.com

